

Dual Axis Digital Inclinometer Model MTS-232



MTS-232 Dual Axis inclinometer is designed for general purpose applications, where long time stability and small size are needed. Featuring short warm-up time, quick response and short settling time. Internal electronics enable the customer to choose the preferred filters and voltage levels.



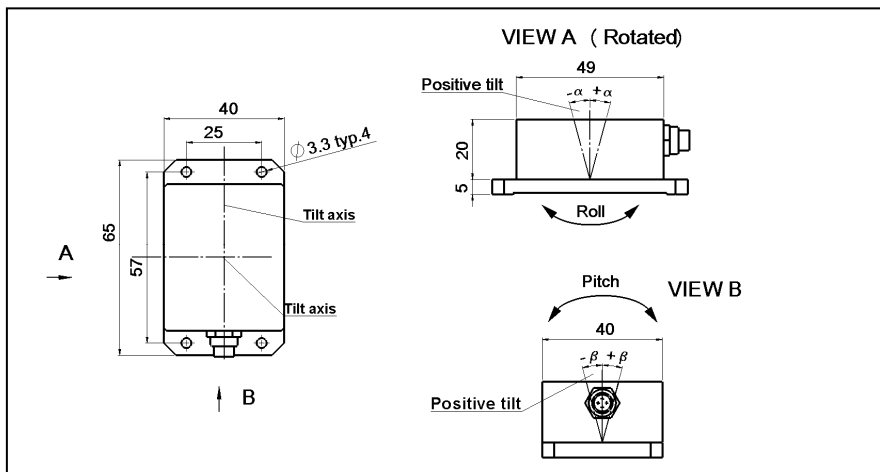
FEATURES:

- Short warm up and settling times
- Fast response
- RS232 output
- Low power single 12V supply (AC/DC Adapter)

SPECIFICATIONS:

Measuring range		$\pm 90^\circ$
Accuracy at room temperature	$\pm 30^\circ$ from horizontal	$\pm 0.1^\circ$
	$\pm 30^\circ \div \pm 60^\circ$	$\pm 0.25^\circ$
Resolution at $\pm 30^\circ$ from horizontal		0.02°
Power supply		7V \div 12V @ 20mA
Output		RS232, Baud Rate 9600
Temperature range		-10 $^\circ$ C to +65 $^\circ$ C
Housing material		Aluminum
Connector		Binder, 4 ways, Plug
Weight		70 grams

DIMENSIONS (mm):



No Pin	To
1	+12V
2	-12V (GND)
4	Tx
5	Rx

Rev. C

© Singer Instruments & Control Ltd., 2011

WWW.SINGER-INSTRUMENTS.COM

Information furnished by Singer Instruments & Control is believed to be accurate and reliable. However, no responsibility is assumed by Singer Instruments & Control for its use, nor for any infringements of patents or other rights of third parties which may result from its use. No license is granted by implication or otherwise under any patent or patent rights of Singer Instruments & Control Ltd.

Singer Instruments & Control Ltd.

2 Yozma St., Tirat Carmel 39032, ISRAEL
yuval@singer-instruments.com

Tel: 972-4-857-8880
Fax: 972-4-857-8881

540 East Main St., Branford, CT 06405, USA
fred@singer-instruments.com

Tel: 203-481-7278
Fax: 203-488-7190