

Dual Axis Digital Inclinometer Model MTS-USB



MTS-USB Dual Axis inclinometer is designed for general purpose applications, where long time stability and small size are needed. Featuring short warm-up time, quick response and short settling time.

FEATURES:

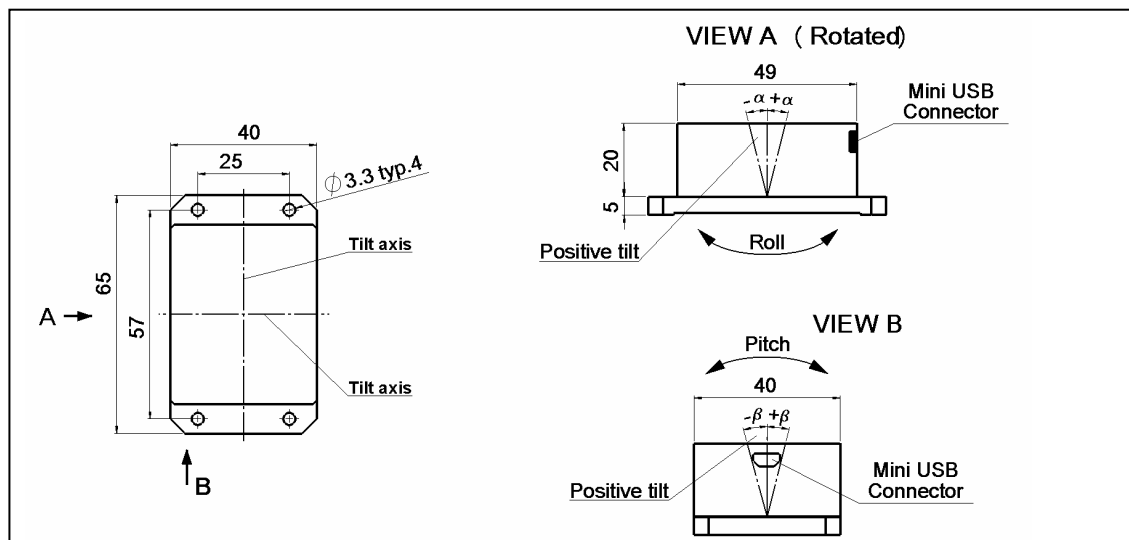
- Short warm up and settling times
- Fast response
- USB Communication
- Power supply from USB



SPECIFICATIONS:

Measuring range		$\pm 90^\circ$
Accuracy at room temperature	$\pm 30^\circ$ from horizontal	$\pm 0.1^\circ$
	$\pm 30^\circ \div \pm 60^\circ$	$\pm 0.25^\circ$
Resolution at $\pm 30^\circ$ from horizontal		0.02°
Output		USB Communication
Temperature range		-10°C to $+65^\circ\text{C}$
Housing material		Aluminum
Connector		Mini USB
Weight		70 grams

DIMENSIONS (mm):



Rev. D

© Singer Instruments & Control Ltd., 2012

WWW.SINGER-INSTRUMENTS.COM

Information furnished by Singer Instruments & Control is believed to be accurate and reliable. However, no responsibility is assumed by Singer Instruments & Control for its use, nor for any infringements of patents or other rights of third parties which may result from its use. No license is granted by implication or otherwise under any patent or patent rights of Singer Instruments & Control Ltd.

Singer Instruments & Control Ltd.

2 Yozma St., Tirat Carmel 39032, ISRAEL
yuval@singer-instruments.com

Tel: 972-4-857-8880
Fax: 972-4-857-8881