

Tension-Compression Low Range Force Transducer FU-AC Series



The FU series force transducer is an LVDT type, featuring a practically unlimited life time, making it suitable for fast automatic weighing machines, or other dynamic force measurements..

Internal spring construction includes damping properties, thus limiting overshoot and shortening the response time.

This Load-Cell contains an AC LVDT and therefore requires a signal conditioner to operate it, such as LVDT Signal Conditioner model EL-10 or LVDT Signal Conditioner model EL-15, or LVDT Control Box CB-100 Series, or USB-10 Unit, manufactured by Singer Instruments & Control.

Specifications:

Measuring range	10 gr. (FU-10AC); 100gr. (FU-100AC); 400gr (FU-400AC); 1000gr (FU-1000AC);
Measuring frequency	DC to 60 Hz
Linearity error	0.1% F.S. to 0.25% F.S. typ, depending of range
Hysteresis error	0.02% F. S. to 0.05% F.S. typ
Input voltage	3V rms (nominal)
Input Frequency	6kHz (nominal)
Output	150 to 300 mV rms F. S.
Deflection	0.1 mm typ.
Overload capability	200% to 1000%, depending on range
Side load capability	100% typ.
T.C. of sensitivity	0.01% / °C typ.
T.C. of zero	0.01% to 0.05% FS / °C typ.
Operating temperature range	-20°C to + 70°C
Resistance:	
Prim.	190 Ω
Sec.	190 Ω
Impedance:	
Prim.	250 Ω
Sec.	350 Ω
Shock Survival	500g for 11 msec
Vibration Survival	20 g up to 2 kHz
Lead wires	Shielded 6 Wire Cable, 500 mm long

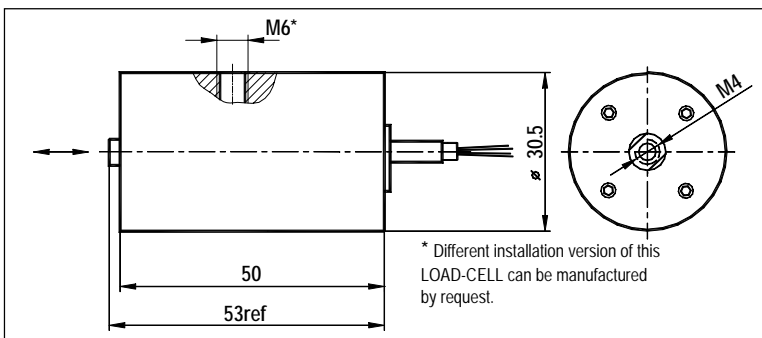


Housing material	Anodized Aluminum alloy or AISI 300 series Stainless Steel 100 grams for Aluminum housing
Weight	220 grams for Stainless Steel housing

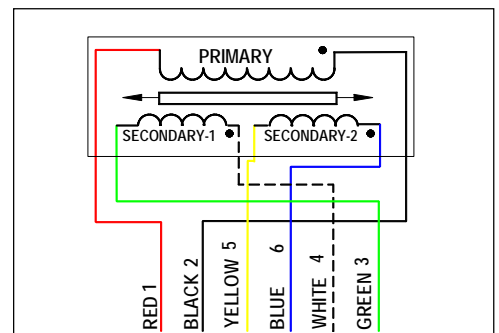
How to order

Ordering example:
Model number: FU – 10AC. (for measuring range 10 gr.)

Dimensions (mm):



Wiring



Rev. F

© Singer Instruments & Control Ltd., 2003

WWW.SINGER-INSTRUMENTS.COM

Information furnished by Singer Instruments & Control is believed to be accurate and reliable. However, no responsibility is assumed by Singer Instruments & Control for its use, nor for any infringements of patents or other rights of third parties which may result from its use. No license is granted by implication or otherwise under any patent or patent rights of Singer Instruments & Control Ltd.

Singer Instruments & Control Ltd.

3 Yozma St., Tirat Carmel 39032, ISRAEL
yuval@singer-instruments.com

Tel: 972-4-857-8880
Fax: 972-4-857-8881

540 East Main St., Branford, CT 06405, USA
fred@singer-instruments.com

Tel: 203-481-7278
Fax: 203-488-7190