

LINEAR SOLENOID

Model 4500



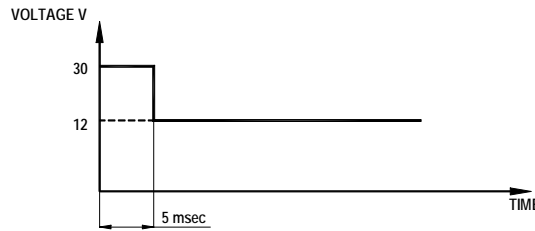
The model 4500 miniature linear solenoid is designed to operate at high ambient temperatures. Winding wire can withstand temperatures up to 200°C.

Supplied with 0.05 mm thick brass spacer to reduce residual magnetic field.

● **SPECIFICATIONS:**

Electrical impedance . . . 60 Ω ±5% AT 25⁰ C

Duty cycle



Holding Force 180 gr. minimum for 0.05mm gap
(ambient temp of 50°C, and duty cycle as above)

Operating temperature range . . .

-20°C to +150°C

Shock Survival 500 g for 11msec

Vibration tolerance . . . 20 g up to 2 kHz

Coil – body insulation >500 MΩ under 500V

Dimensions ø 8.5 x 27 mm

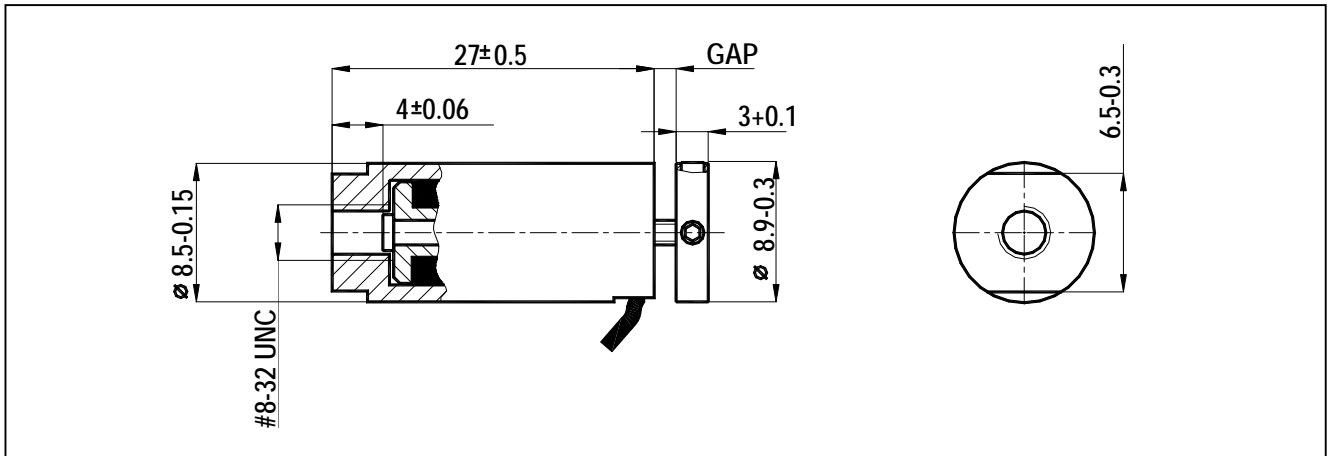
Cable # 1528 BRIM, 250 mm long

Plunger screws S.S.S. #2-56 x 3/32

Weight 10 grams



● **DIMENSIONS (mm):**



Rev. E

© Singer Instruments & Control Ltd., 2003

WWW.SINGER-INSTRUMENTS.COM

Information furnished by Singer Instruments & Control is believed to be accurate and reliable. However, no responsibility is assumed by Singer Instruments & Control for its use, nor for any infringements of patents or other rights of third parties, which may result from its use. No license is granted by implication or otherwise under any patent or patent rights of Singer Instruments & Control Ltd.

Singer Instruments & Control Ltd.

3 Yozma St., Tirat Carmel 39032, ISRAEL
yuval@singer-instruments.com

Tel: 972-4-857-8880
Fax: 972-4-857-8881

540 East Main St., Branford, CT 06405, USA
fred@singer-instruments.com

Tel: 203-481-7278
Fax: 203-488-7190