

# Tension-Compression Load-Cell, LC-DC Series



The LC series force transducer is an LVDT type, featuring practically unlimited life time, making it suitable for fast automatic weighing machines. Internal springs construction include damping properties, thus limiting overshoot. And shortening the response time.

LC-DC series LOAD-CELL includes an LVDT and a signal conditioner, thus performing as a DC In, DC Out transducer.

## Specifications:

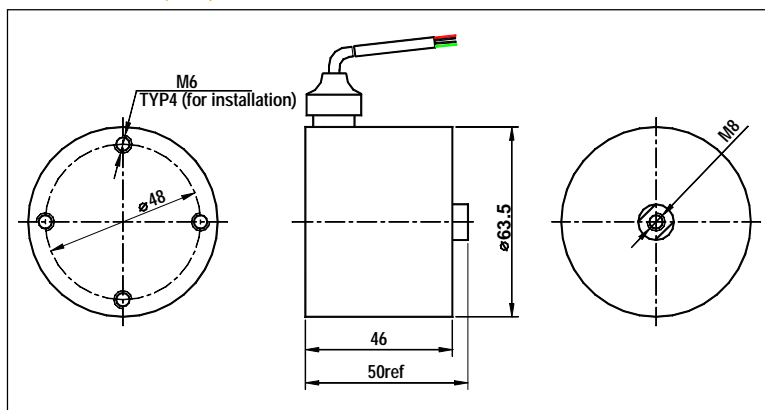
<b>Measuring range</b> .....	1 Kg. (LC-1DC); 2 Kg. (LC-2DC); 5 Kg. (LC-5DC); 10 Kg. (LC-10DC);
<b>Measuring frequency</b> .....	DC to 20 Hz
<b>Linearity</b> .....	0.15% F. S.
<b>Hysteresis error</b> .....	0.02% F. S.
<b>Output</b>	
<b>Voltage</b> .....	±5.5 Volt DC max
<b>Current</b> .....	25mA (typical)
<b>Sensitivity</b> .....	5mVDC / 1gr. max
<b>Power supply requirements</b>	±12 VDC unregulated, @ 30mA at no load
<b>Deflection</b> .....	0.1 mm typ.
<b>Overload capability</b> .....	200% to 1000%, depending on range
<b>Side load capability</b> .....	100% typ.
<b>T.C. of sensitivity</b> .....	0.01% / °C typ.
<b>T.C. of zero</b> .....	0.01% FS / °C typ.
<b>Operating temperature range</b> .....	
	0°C to + 70°C
<b>Shock Survival</b> .....	500g for 11 msec
<b>Vibration Survival</b> .....	20 g up to 500 Hz
<b>Warm up time</b> .....	10 minutes
<b>Lead wires</b> .....	Shielded 4 Wire Cable. 800 mm long
<b>Housing material</b> .....	Anodized Aluminum alloy
<b>Weight</b> .....	600 grams



## How to order

Ordering example:  
Model number: LC – 1DC. (for measuring range 1kg )

## Dimensions (mm):



## Wiring

RED	+12V
BLACK	-12V
WHITE	COM
GREEN	OUT

Rev. E

© Singer Instruments & Control Ltd., 2003

WWW.SINGER-INSTRUMENTS.COM

Information furnished by Singer Instruments & Control is believed to be accurate and reliable. However, no responsibility is assumed by Singer Instruments & Control for its use, nor for any infringements of patents or other rights of third parties which may result from its use. No license is granted by implication or otherwise under any patent or patent rights of Singer Instruments & Control Ltd.

Singer Instruments & Control Ltd.  
3 Yozma St., Tirat Carmel 39032, ISRAEL  
yuval@singer-instruments.com  
540 East Main St., Branford, CT 06405, USA  
fred@singer-instruments.com

Tel: 972-4-857-8880  
Fax: 972-4-857-8881  
Tel: 203-481-7278  
Fax: 203-488-7190