

Tension-Compression Load-Cell, LC-DC Series



The LC series force transducer is an LVDT type, featuring practically unlimited life time, making it suitable for fast automatic weighing machines. Internal springs construction include damping properties, thus limiting overshoot. And shortening the response time.

LC-DC series LOAD-CELL includes an LVDT and a signal conditioner, thus performing as a DC In, DC Out transducer.

Specifications:

Measuring range	1 Kg. (LC-1DC); 2 Kg. (LC-2DC); 5 Kg. (LC-5DC); 10 Kg. (LC-10DC);
Measuring frequency	DC to 20 Hz
Linearity	0.15% F. S.
Hysteresis error	0.02% F. S.
Output	
Voltage	±5.5 Volt DC max
Current	25mA (typical)
Sensitivity	5mVDC / 1gr. max
Power supply requirements	±12 VDC unregulated, @ 30mA at no load
Deflection	0.1 mm typ.
Overload capability	200% to 1000%, depending on range
Side load capability	100% typ.
T.C. of sensitivity	0.01% / °C typ.
T.C. of zero	0.01% FS / °C typ.
Operating temperature range	
	0°C to + 70°C
Shock Survival	500g for 11 msec
Vibration Survival	20 g up to 500 Hz
Warm up time	10 minutes
Lead wires	Shielded 4 Wire Cable. 800 mm long
Housing material	Anodized Aluminum alloy
Weight	600 grams

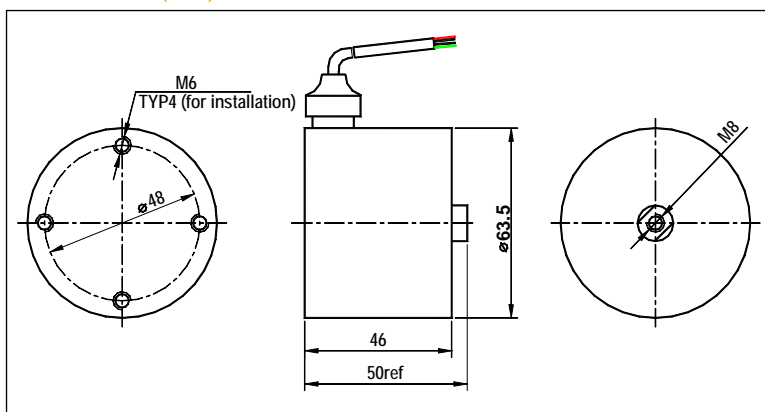


How to order

Ordering example:

Model number: LC – 1DC. (for measuring range 1kg)

Dimensions (mm):



Wiring

RED	+12V
BLACK	-12V
WHITE	COM
GREEN	OUT