

# Single Axis Digital Inclinometer Model MTS360-USB



MTS360-USB Single Axis inclinometer is designed for general purpose applications, where long time stability and small size are needed. Featuring short warm-up time, quick response and short settling time. Internal electronics enable the customer to choose the preferred filters and calibration levels. Featuring 0.02° resolution and USB communication.



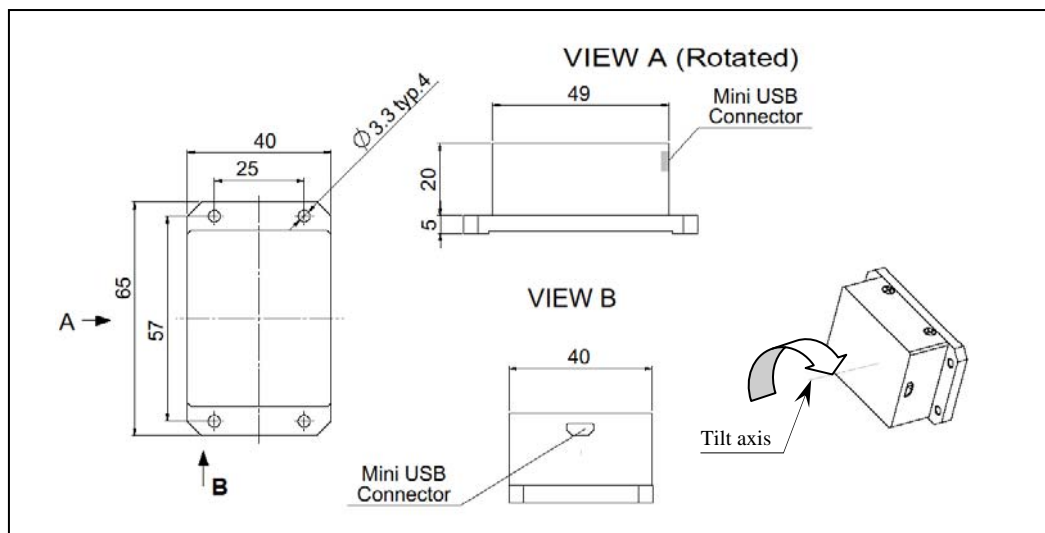
## FEATURES:

- Short warm up and settling times
- Fast response
- USB Communication
- Power supply from USB

## SPECIFICATIONS:

Measuring range	0° to 360°
Accuracy at room temperature	±0.25° typical
Resolution	0.02°
Output	USB Communication
Operating temperature range	-10°C to +65°C
Housing material	Aluminum
Connector	Mini USB
Weight	70 grams

## DIMENSIONS (mm):



Rev. B

© Singer Instruments & Control Ltd., 2011

WWW.SINGER-INSTRUMENTS.COM

Information furnished by Singer Instruments & Control is believed to be accurate and reliable. However, no responsibility is assumed by Singer Instruments & Control for its use, nor for any infringements of patents or other rights of third parties which may result from its use. No license is granted by implication or otherwise under any patent or patent rights of Singer Instruments & Control Ltd.

## Singer Instruments & Control Ltd.

2 Yozma St., Tirat Carmel 39032, ISRAEL  
yuval@singer-instruments.com

540 East Main St., Branford, CT 06405, USA  
fred@singer-instruments.com

Tel: 972-4-857-8880  
Fax: 972-4-857-8881

Tel: 203-481-7278  
Fax: 203-488-7190