

Auto Zero Servo Inclinometer TSR series

The TSR servo-inclinometer is designed for high accuracy leveling and tilt measurement. The unique Auto-Zero feature eliminates the effects of temperature, shock, vibration and other environmental factors on the null drift, as well as aging and time induced errors. US patents 6,546,639 and 6,722,049.

FEATURES:

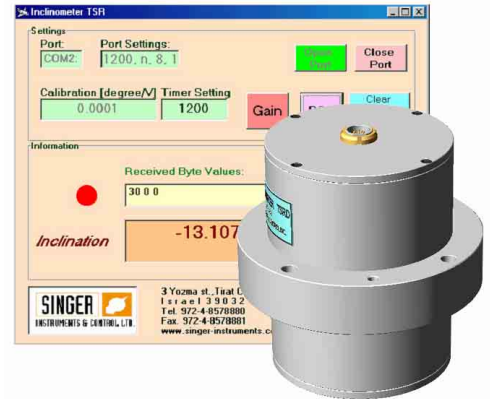
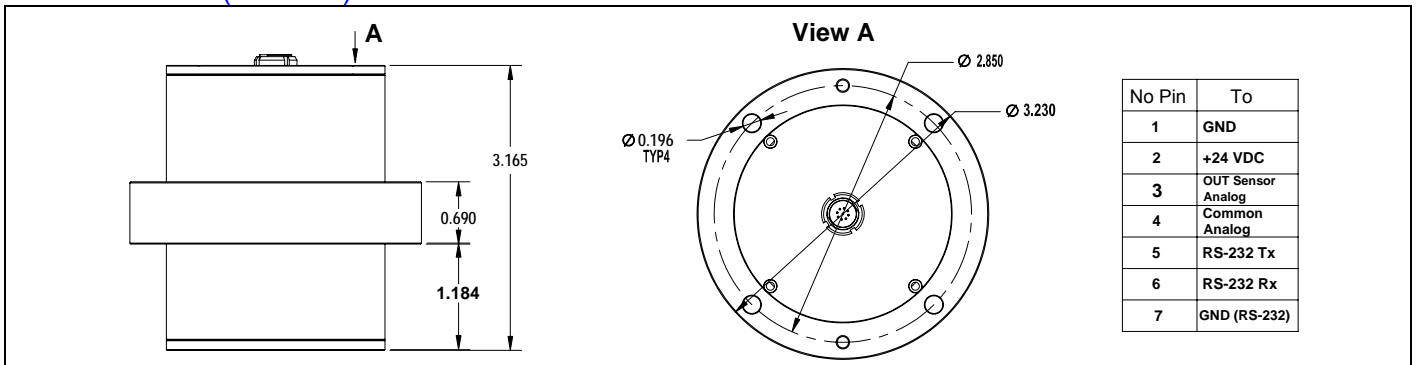
- Auto-Zero compensation on command or automatic
- 0.001° leveling accuracy
- 0.01%FR linearity
- 250g, 0.5ms shock survival

SPECIFICATIONS

Measuring range	TSR: ±5 deg., TSR10: ±10 deg.
Non-linearity error ¹⁾	0.01%FR typ
Null repeatability	±0.001 deg
Sensitive axis misalignment	< 0.001 deg.
Power supply	24 VDC unregulated
Output	RS232
Span temperature coefficient	0.01%/°C typ
Zero temperature coefficient	0.00005%FR/°C
Temperature range	-30 to +70°C, operating; -40 to +85°C, survival
Connector ²⁾	LEMO ECG.0B.307 LLNJ
Housing material	Sulphuric anodized # 2024 Aluminum alloy
Weight	700 grams

Notes: 1) Non-linearity error defined as maximum deviation of any point from the theoretical sine function line, in percents of the full measuring range.
2) Supplied with mating connector and 3 ft. cable.

DIMENSIONS (INCHES)



Rev. F © Instruments & Control Inc., 2005
Information furnished by Instruments & Control is believed to be accurate and reliable. However, no responsibility is assumed by Instruments & Control for its use, nor for any infringements of patents or other rights of third parties which may result from its use. No license is granted by implication or otherwise under any patent or patent rights of Instruments & Control Inc.

WWW.SINGER-INSTRUMENTS.COM
Instruments & Control Inc.
540 East Main St., Branford, CT 06405, USA
fred@singer-instruments.com
Tel: 203-481-7278
Fax: 203-488-7190