

# LVDT Signal Conditioner EL-10 Series



EL-10 is a full function Signal Conditioner for 5 or 6 wire LVDTs. Dual transistors power driver output enable the operation of low impedance LVDTs.

Operates from  $\pm 15$  Volt unregulated power supply. Including on-board oscillator, buffer, demodulator, filter, DC amplifier and power output circuitry. 15 turn on board trimmers enable  $\pm 20\%$  of Full Scale reading ZERO adjustment, and up to x5 GAIN adjustment. Low Pass filter knee frequency is 100 Hz typical (-3db). Other filters available on request

On-board connector MOLEX QF50™ P/N 90663-3161 (Supplied)  
Mating connector MOLEX QF50™ P/N 90635-1161 (Supplied)  
Multi color Flat cable 300 mm long (supplied)



## Specifications

<b>LVDT excitation</b>	
Voltage.....	3.5 V rms @ 60 mA max
Frequency .....	7 kHz
<b>Output</b>	
Voltage.....	$\pm 10$ Volt DC max
Current.....	10 mA max
<b>Power supply requirements....</b>	
	$\pm 15$ VDC unregulated, @ 8 mA at no load
<b>Trimmer Adjustments</b>	
Zero .....	$\pm 20\%$ of Full Scale Reading
Gain .....	up to x5, trimmer adjustable
<b>Non linearity.....</b>	
	< 0.03% of FS
<b>Operating temperature range... </b>	
	0° to +70°C
<b>Temperature Coefficient.....</b>	
	<0.01% of FS / °C
<b>Warm up time .....</b>	
	10 minutes

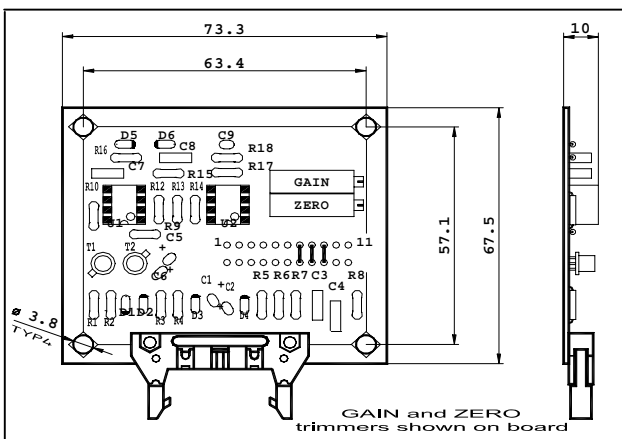
## Features

- ✓  $\pm 15$  Volt DC powered
- ✓ Operates 5 or 6 wire LVDT
- ✓ ZERO and GAIN on board trimmers
- ✓ Dual transistor driver for low impedance LVDTs
- ✓ 16 way Molex Flat Cable QF50™ connector
- ✓ 4 holes for M3 or #4UNC screws

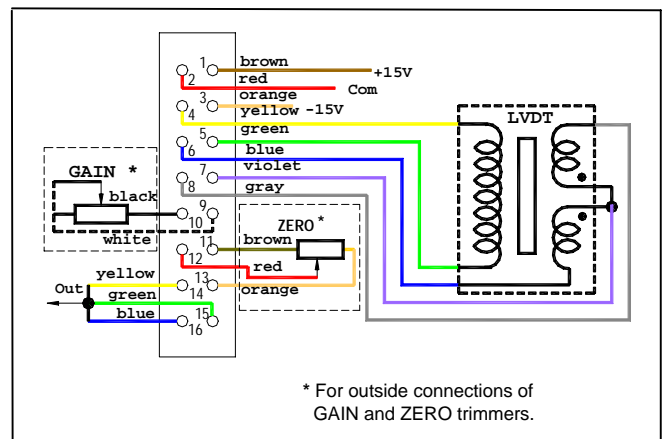
## How To Order

Order by model number  
Model Number EL-10 (Trimmers on board)  
Model Number EL-10A (Trimmers supplied apart for outside installation)

## Dimensions mm



## Wiring



Rev. D © Singer Instruments & Control Ltd., 2003  
Information furnished by Singer Instruments & Control is believed to be accurate and reliable. However, no responsibility is assumed by Singer Instruments & Control for its use, nor for any infringements of patents or other rights of third parties which may result from its use. No license is granted by implication or otherwise under any patent or patent rights of Singer Instruments & Control Ltd.

WWW.SINGER-INSTRUMENTS.COM

## Singer Instruments & Control Ltd.

3 Yozma St., Tirat Carmel 39032, ISRAEL  
yuval@singer-instruments.com

Tel: 972-4-857-8880  
Fax: 972-4-857-8881

540 East Main St., Branford, CT 06405, USA  
fred@singer-instruments.com

Tel: 203-481-7278  
Fax: 203-488-7190