

Miniature Gage Head GH-SM Series



This micro-miniature spring-loaded LVDT is designed for high resolution position measurement in tight places. Its layer wound on metal coil-form provides excellent stability, while ferromagnetic housing takes care of the electromagnetic and electrostatic shielding

Several options are available for signal conditioning: digital or analog EL-35 signal conditioners and USB-10 or USB-10-4 digital controllers, manufactured by Singer Instruments & Control.



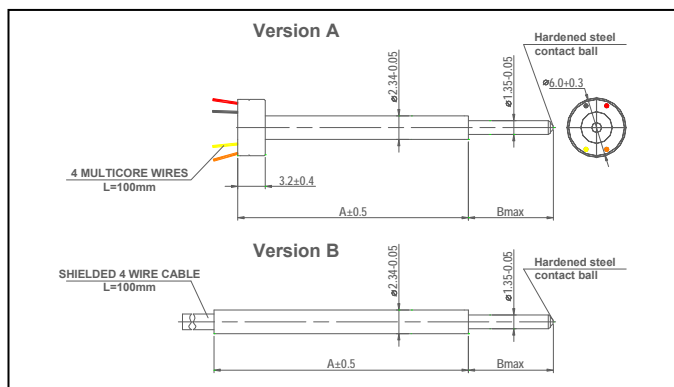
Specifications

Input voltage	2.3Vrms max
Input frequency	5kHz (nominal)
Linearity deviation error	2.0% F. R. max
Operating temperature range	-20°C to +70°C
Housing material	Nickel-Iron Alloy.

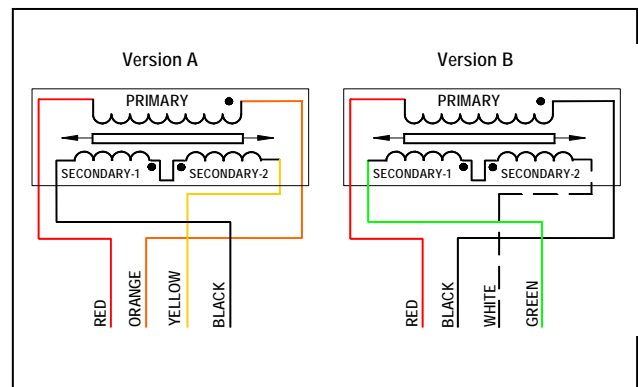
Applications:

- ✓ robotic systems – micro motion measurement;
- ✓ civil engineering – movements and deflections;
- ✓ optical components - linear/angular positioning;
- ✓ medical use – micro motion, deformation.

Dimensions (mm)



Wiring



How to order

Ordering example: Model number – GHSM– 2.5A

MODEL	Linear Measuring Range	Total mechanical stroke, Bmax	Spring Force *	Sensitivity (tested at 5kHz)	Impedance (tested at 5kHz)		Resistance		Length
					Ω Prim.	Ω Sec.	Ω Prim.	Ω Sec.	
GHSM-1.0A	±1.0	2.7	30-70	0.07	190	50	115	45	20.4
GHSM-1.0B									28.4
GHSM-2.5A	±2.5	5.7	30-95	0.044	310	70	170	65	30.0
GHSM-2.5B									38.0
GHSM-5.0A	±5.0	10.7	25-90	0.044	170	70	90	60	51.6
GHSM-5.0B									59.6

*Max. deviation ±20%

Information furnished by Singer Instruments & Control is believed to be accurate and reliable. However, no responsibility is assumed by Singer Instruments & Control for its use, nor for any infringements of patents or other rights of third parties which may result from its use. No license is granted by implication or otherwise under any patent or patent rights of Singer Instruments & Control Ltd.

Singer Instruments & Control Ltd.

2 Yozma St., Tirat Carmel 39032, ISRAEL
yuval@singer-instruments.com

Tel: 972-4-857-8880
Fax: 972-4-857-8881